

BUILDITECO

INNOVATIVE BUILDING SOLUTIONS

Rendered Style Pillar Letterboxes

THE PRODUCT

These letterboxes are manufactured using a high density lightweight core with a hard coat and sand textured finish. The application of this coating provides a superior strength along with stylish modern 'rendered' aesthetics. The letterbox includes a 50mm galvanised RHS steel post for ultimate footing strength and ease of installation.

THE FEATURES

All letterboxes come standard with a brushed silver mail insert which accommodates A4 size envelopes lying flat (Australia Post compliant). The mail insert is fully lockable (with 2 keys provided) ensuring the security of your mail. As the insert is supplied in a brushed silver finish you can paint over it to match your house facade colour or alternatively leave the modern look of the silver as a contrast against the letterbox colour you choose.

THE INSTALLATION

As these letterboxes are pre-coated in a rendered finish, it eliminates the need to organise a tradesman for the normal 'bricked up' letterbox style. Once the letterbox is installed, all you need to do is simply paint over with any exterior acrylic paint.



KEY LARGO



BAHAMA



BERMUDA

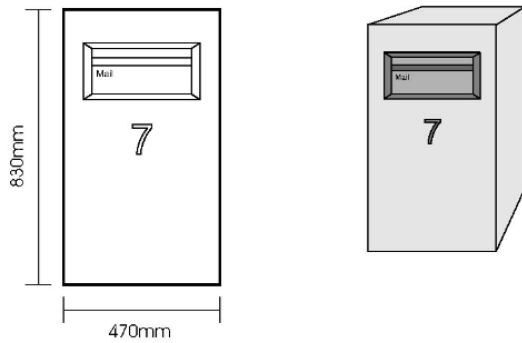
BuilditEco Pty Ltd

Unit 8/49 Prindiville Drive, Wangara, WA, 6065

Phone: 1300 088 165 Fax: 08 9409 4522

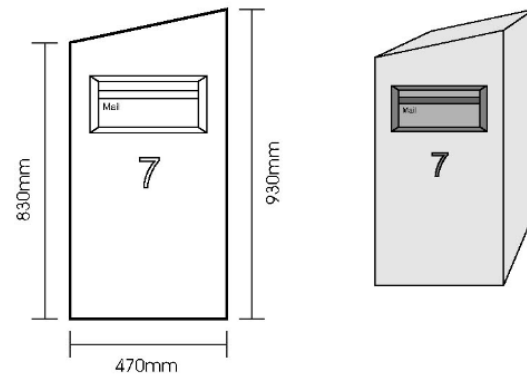
Key Largo

H 830mm X W 470mm X D 370mm



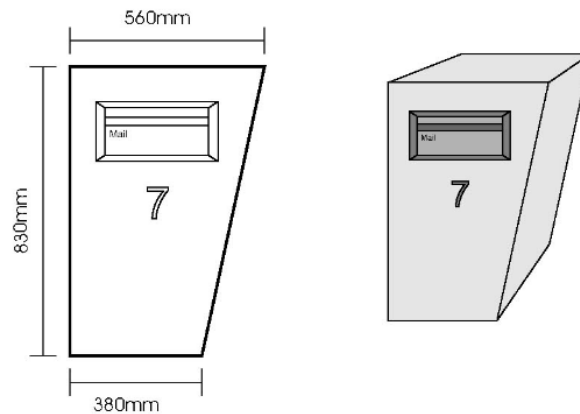
Bahama

H 930mm X W 470mm X D 370mm



Bermuda

H 830mm X W 560mm X D 370mm



All letterboxes have the option of adding a paper holder for a low price.

The Key Largo style letterbox offers 2 x mail inserts for Duplex's and 3 x mail inserts for Triplex's.

Please contact BuilditEco today for further pricing and information

Ph: 1300 088 165

admin@builditeco.com.au

BuilditEco Pty Ltd

Unit 8/49 Prindiville Drive, Wangara, WA, 6065

Phone: 1300 088 165 Fax: 08 9409 4522